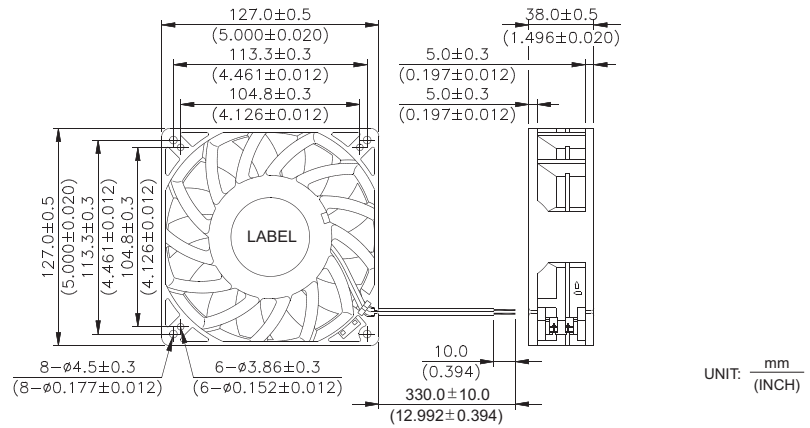


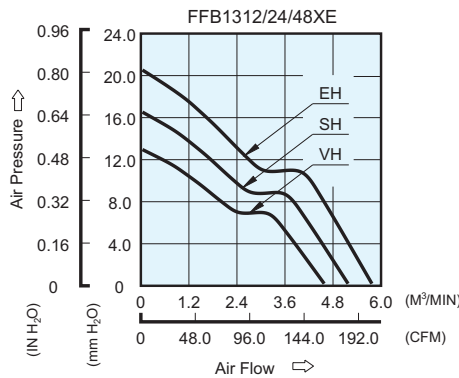
FFB 127 x 127 x 38 MM SERIES

DIMENSIONS DRAWING

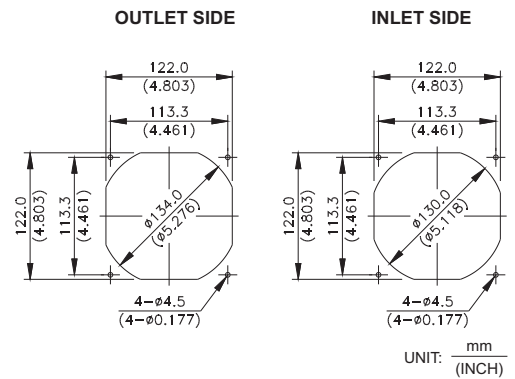


- * Bearing Type
Ball Bearings
- * Material
Impeller & Frame : Plastic (UL 94V-0)
- * Lead Wires :
UL 1007 AWG #24 OR Equivalent
Red Wire Positive (+)
Black Wire Negative (-)
- * Weight : 470g (16.58 oz)

P & Q CURVE (AT RATED VOLTAGE)



MOUNTING PANEL CUTOUT



| MODEL | | Rated Voltage | Operating Voltage Range | Input Current | Input Power | Speed | Maximum Air Flow | | Maximum Air Pressure | | Noise |
|------------|-------------|---------------|-------------------------|---------------|-------------|--------|---------------------|--------|----------------------|---------------------|-------|
| PART NO. | FUNCTION | VDC | VDC | Amp | Watt | R.P.M. | m ³ /min | CFM | mmH ₂ O | IN H ₂ O | dB-A |
| FFB1312VHE | -R00 / -F00 | 12 | 7.0 to 13.2 | 1.32 | 15.84 | 3050 | 4.531 | 160.01 | 12.80 | 0.504 | 53.0 |
| FFB1324VHE | -R00 / -F00 | 24 | 14.0 to 26.4 | 0.60 | 14.40 | | | | | | |
| FFB1348VHE | -R00 / -F00 | 48 | 28.0 to 53.0 | 0.33 | 15.84 | | | | | | |
| FFB1312SHE | -R00 / -F00 | 12 | 7.0 to 13.2 | 1.85 | 22.20 | 3450 | 5.097 | 180.00 | 16.30 | 0.642 | 56.5 |
| FFB1324SHE | -R00 / -F00 | 24 | 14.0 to 26.4 | 0.84 | 20.16 | | | | | | |
| FFB1348SHE | -R00 / -F00 | 48 | 28.0 to 53.0 | 0.45 | 21.60 | | | | | | |
| FFB1312EHE | -R00 / -F00 | 12 | 8.5 to 13.2 | 2.74 | 32.88 | 3850 | 5.664 | 200.02 | 20.30 | 0.799 | 59.5 |
| FFB1324EHE | -R00 / -F00 | 24 | 14.0 to 26.4 | 1.20 | 28.80 | | | | | | |
| FFB1348EHE | -R00 / -F00 | 48 | 28.0 to 53.0 | 0.67 | 32.16 | | | | | | |

* Function type is optional.
 * The max. air flow and the speed are measured in free air ; max. air pressure is measured at zero air flow.
 * Noise is measured in anechoic chamber in free air, one meter from intake side.
 * All readings are typical values at rated voltage.
 * Specifications are subject to change without notice.